

cubigel COMPRESSORS AND CONDENSING UNITS

AIREFRIG
AUSTRALIA

CUBIGEL HERMETIC COMPRESSORS & CONDENSING UNITS

COMPRESSORS

R404A (R507) Low Temperature Compressors	2
R404A (R507) Medium Temperature Compressors	3
R134a Low Temperature Compressors	4
R134a Medium Temperature Compressors	5 - 6
R22 Medium Temperature Compressors	6
Compressor Dimensions	7 - 9

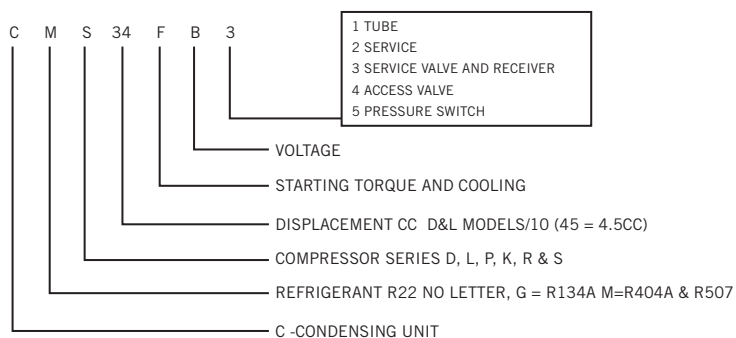
CONDENSING UNITS

R404A (R507) Low Temperature Condensing Units	10 - 11
R404A (R507) Medium Temperature Condensing Units	12 - 13
R134a Medium Temperature Condensing Units	14 - 15
R22 Medium Temperature Condensing Units	16 - 17

SPARE PARTS

Fans & Motor Kits	18
R134a Low & Medium Temperature Compressors	19
R22 Medium Temperature Compressors	20
R404A (R507) Medium Temperature Compressors	20
R404A (R507) Low Temperature Compressors	20
Capacitors	21

NOMENCLATURE



cubigel

Compressors & Condensing Units

Cubigel compressors and condensing units are in more than 150 countries around the world.

Last year Cubigel sold over 55 million domestic products and the number of sales in compressors is just as impressive with over 16% of the worlds market share, Cubigel produces over 22 million compressors a year.

Each product has been designed and tested for specific refrigerants and conditions of each country. Obviously conditions for Australia are completely opposite to that of Switzerland or Russia so when one of the eight manufacturing plants placed around the world sends out a product to a particular country, it has been designed to that countries climate and conditions.

The products imported into Australia are manufactured in the Barcelona factory. Condensing units, commercial and domestic compressors range from 2.44cc upto 34cc and are available in a comprehensive range of refrigerants for today's market.



CUBIGEL HERMETIC CONDENSING UNITS

R404a (R507) - Medium Temperature

Airefrig Part Number	H/P	Displ cm ³	Ambient Temp °C	Refrigeration Capacity Watts							
				Evaporating Temperature °C							
				-25	-20	-15	-10	-5	0	5	10
CML40TB3N	1/6	4.04	32	205	253	309	372	440	516	597	687
			38	189	234	285	343	406	476	551	634
			43	178	220	268	322	381	447	518	596
CML45TB3N	1/5	4.50	32	221	277	338	405	477	555	640	724
			38	204	256	312	373	440	512	590	668
			43	192	240	293	351	413	481	555	628
CML60TB3N	1/4	5.67	32	274	345	421	506	596	693	797	907
			38	253	318	389	466	550	639	735	837
			43	238	299	365	438	517	601	691	787
CML80TB3N	3/8	7.57	32	420	493	584	692	818	961	1122	1300
			38	388	455	539	638	754	886	1035	1199
			43	364	428	506	600	709	833	972	1127
CML90TB3N	3/8	8.85	32	434	545	665	798	940	1094	1258	1433
			38	400	503	614	736	867	1009	1160	1321
			43	376	472	577	692	815	948	1090	1242
CMP12TB3N	1/2	12.00	32	598	755	926	1113	1317	1537	1772	2023
			38	552	696	854	1027	1215	1417	1634	1866
			43	519	655	803	965	1142	1332	1536	1754
CMP14TB3N	1/2	14.00	32	631	810	1002	1208	1429	1662	1911	2172
			38	582	747	924	1114	1318	1533	1762	2004
			43	547	702	869	1047	1239	1441	1657	1883
CMX16TB3N	5/8	16.03	32	751	973	1198	1428	1661	1899	2140	2385
			38	708	916	1129	1345	1564	1788	2015	2246
			43	671	869	1070	1276	1483	1696	1911	2130
CMX18TB3N	7/8	18.40	32	812	1024	1242	1466	1697	1933	2176	2425
			38	765	965	1169	1381	1598	1820	2049	2283
			43	725	915	1109	1310	1516	1726	1944	2165
CMX21TB3N	1.0	20.72	32	872	1073	1302	1562	1842	2170	2518	2896
			38	821	1010	1227	1471	1744	2043	2371	2727
			43	779	958	1163	1395	1654	1879	2249	2587
CMS26TB3N	1 3/8	25.93	32	1218	1553	1911	2289	2690	3113	3557	4023
			38	1124	1433	1762	2111	2481	2871	3280	3711
			43	1056	1347	1657	1984	2333	2699	3084	3488

Return Gas Temperature 35°C

CUBIGEL HERMETIC CONDENSING UNITS

R404a (R507) - Medium Temperature

Model	Dimensions mm			Weight Kg	Connections Inches (mm)		Motor			Fan Motor Ass	Drawing Number	
	Length	Width	Height		Suction	Liquid	Type	Watts	FLA Amps			
CML40TB3N	425	325	235	14.6	3/8 (9.5)	1/4 (6.5)	CSIR	348	2.03	410362	306	
CML45TB3N	425	325	235	14.7				385	2.19			
CML60TB3N	425	330	245	22.7				477	2.77			
CML80TB3N	450	355	270	23.5				570	3.27			
CML90TB3N	425	355	270	23.9				700	3.98	410406		
CMP12TB3N	480	425	350	29.8		3/8 (9.5)	CSR	860	4.05	410476		
CMP14TB3N	500	425	350	29.9				1000	4.86	410478		335
CMX16TB3N	495	430	350	30.0				1163	5.77	410476		
CMX18TB3M	500	430	350	33.0				1370	6.95	410476		312
CMX21TB3N	495	455	440	35				1384	6.00	410476		332
CMS26TB3N	515	455	440	43.7	1/2 (12.7)		1772	8.97	410491	330		

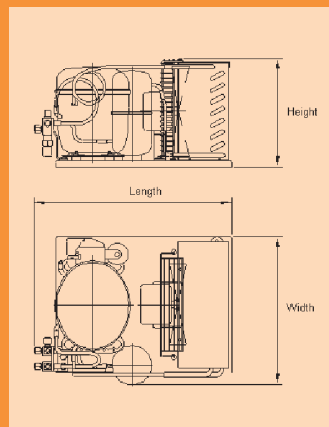


Diagram 306

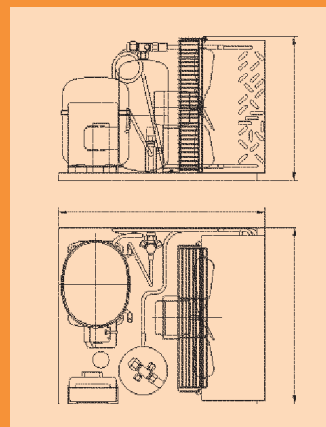


Diagram 312

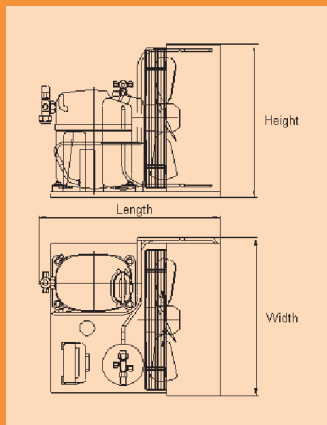


Diagram 330

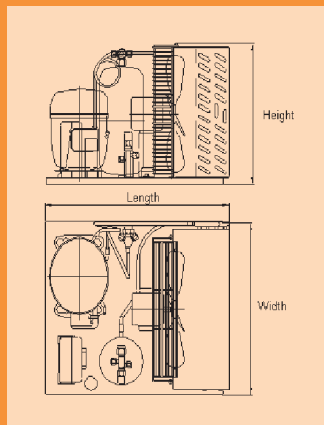


Diagram 335

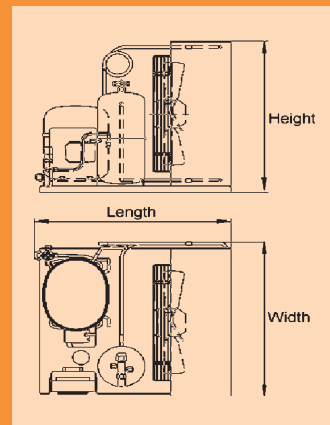


Diagram 332

AIREFRIG AUSTRALIA

WESTERN AUSTRALIA

75 Beechboro Road,
Bayswater, WA, 6053
Telephone: (08) 9272 8977
Facsimile: (08) 9370 2868

4 Sleeman Close,
O'Connor, WA, 6163
Telephone: (08) 9314 1441
Facsimile: (08) 9337 4192

17/8 Baretta Road,
Wangara, WA, 6065
Telephone: (08) 9309 9300
Facsimile: (08) 9309 9611

VICTORIA

29 Geddes Street,
Mulgrave, VIC, 3170
Telephone: (03) 9561 7200
Facsimile: (03) 9561 7911

18 Macquarie Drive,
Thomastown, VIC, 3074
Telephone: (03) 9464 3844
Facsimile: (03) 9464 3833

NEW SOUTH WALES

64 Gibson Avenue,
Padstow, NSW, 2211
Telephone: (02) 8708 8333
Facsimile: (02) 8708 5334

10/4 Avenue of Americas,
Newington, NSW, 2127
Telephone: (02) 9648 1414
Facsimile: (02) 9648 1717

SOUTH AUSTRALIA

10 Wirriga Street,
Regency Park, SA, 5010
Telephone: (08) 8345 2201
Facsimile: (08) 8345 2401

QUEENSLAND

127 Gardens Drive,
Willawong, QLD, 4110
Telephone: (07) 3272 4844
Facsimile: (07) 3272 4644

29 - 35 Huntington Place,
Banyo, QLD, 4014
Telephone: (07) 3267 0888
Facsimile: (07) 3267 0111

FREE CALL 1800 671 500

Email: sales@airefrig.com.au
www.airefrig.com.au

cubigel